

Fat pull handle, large - steel



Tom Dixon collection

Product

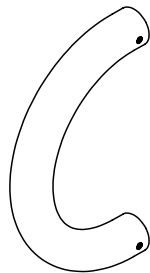
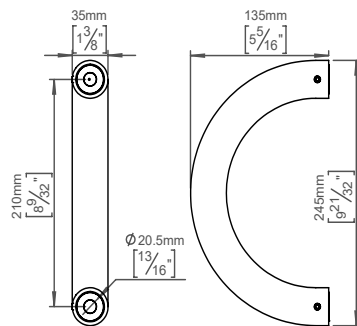
Bush, Ø35mm, cc 210mm, satin

Tender text

FAT pull handle, small. Bush, Ø35mm, cc 210mm, satin finish. The FAT collection is a series of architectural hardware pieces designed by English industrial designer Tom Dixon. Manufactured in the highest quality marine grade, AISI 316 stainless steel, protecting against high levels of corrosion. W: 245mmxH: 135mmxD: Ø35mm. 20-year warranty.

Product specification

Dimensions: 245x135mm. Diameter: Ø35mm. Material: stainless steel AISI 316. Surface finish: satin grain 320, crafted by hand. [20-year warranty \(5 years for coated items\)](#)



Available finishes

Solid metal



Satin steel

PVD



Charcoal



Brass

Powder coated



Electric blue

Spare parts/
accessories

14491692309 - Bush head bolt M12x30mm
14491692601 - Bush head bolt M12x60mm
14491692601 - Bush head bolt M12x60mm
14976500157 - Allen key 3mm
A4974102324 - Thrust rose Ø26.4x2mm
12496500305 - Fitting f/glass door, Ø12mm

Mounting

<https://dline.com/mounting-instructions/>

4 pcs. per box

Product care

d line products are produced in the highest quality marine grade AISI 316 stainless steel. To sustain the unique d line finish please follow the below instructions:

- Wash down the surfaces using soapy water or mild detergent

- Always thoroughly rinse off with clean water

- To complete the cleaning procedure dry/polish the surface with a soft dry cloth

Please do not use scouring powder, steel wool, chloride based detergents or other aggressive cleaning products as these may damage the surface.

If spots or corrosion appear on the surface it is not due to the stainless steel quality, but to impurities in the environment, aggressive conditions or improper or insufficient cleaning.